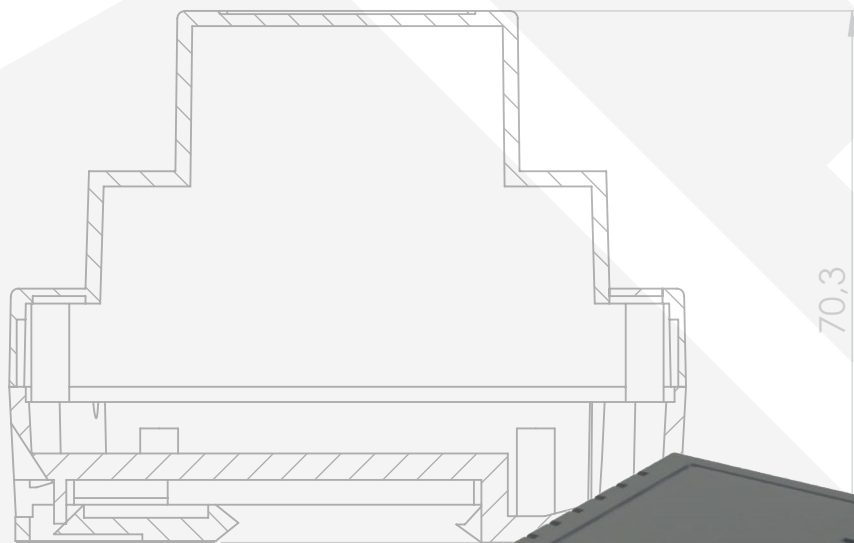
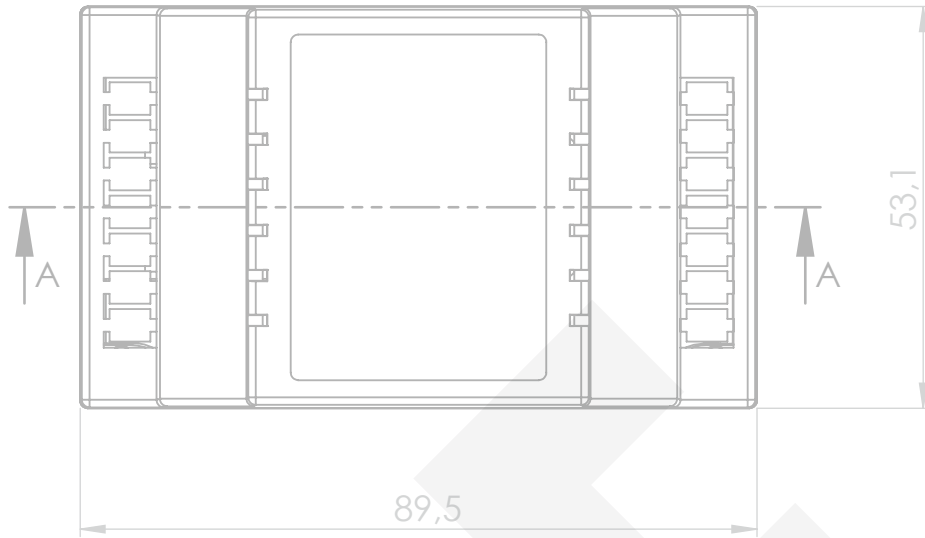


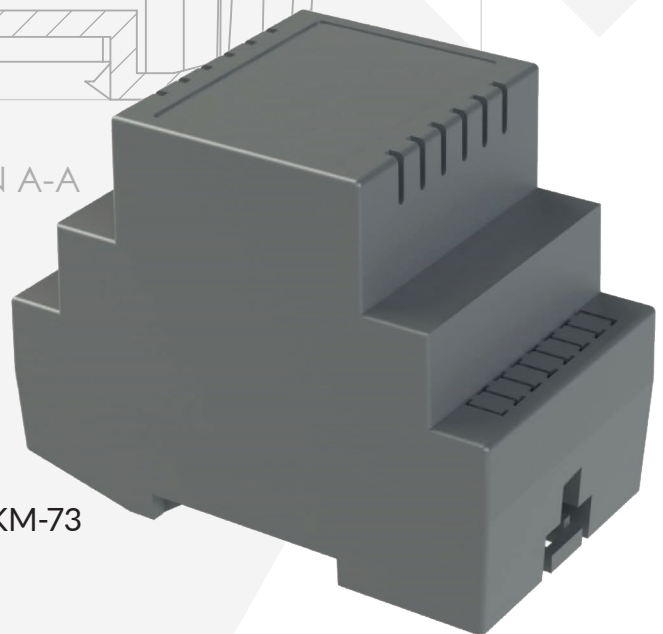
DIN RAIL ENCLOSURES

Rail casings allow you to mount several sets of casings to some constant element (walls, solid). These casings are adapted to be mounted on DIN rails. These are made of ABS and ABS V0 non-flammable materials.



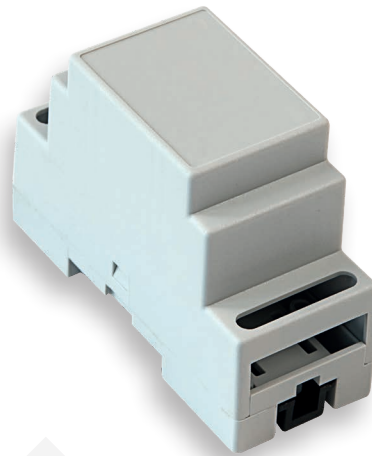
SECTION A-A

KM-73



3D view and diagrams available on the website www.maszcyk.pl
Infoline: +48 602 726 086 / e-mail: maszcyk@maszcyk.pl

DIN RAIL ENCLOSURES



KM-74

KM-71



Range of enclosures for Din rail mounting made of flame resistance ABS material according to UL94-V0. Available in RAL 7035 colour. Base of enclosure with integral mounting studs for PCB. Polished surface finishing. Snap together closing, no screw required. Upon request transparent window cover available. Enclosures are suitable for components such as terminals, connectors or PCB plug headers.

Model	Website	Length	Width	Height	Material	Accessories
Z-106	Series A	35	90	65	ABS V0	
Z-106F	Series A	35	90	65	ABS V0	Fi
Z-107	Series A	53	90	65	ABS V0	
Z-107F	Series A	53	90	65	ABS V0	Fi
Z-108	Series A	70	90	65	ABS V0	
Z-108F	Series A	70	90	65	ABS V0	Fi
Z-109	Series A	87	90	65	ABS V0	
Z-109F	Series A	87	90	65	ABS V0	Fi
Z-110	Series A	105	90	65	ABS V0	
Z-110F	Series A	105	90	65	ABS V0	Fi
KM-74	Series B	35	88	59	ABS	
Z-102	Series B	54	89	65	ABS V0	
Z-103	Series B	35	89	63	ABS V0	
Z-104	Series B	140	90	63	ABS V0	
Z-105	Series B	18	90	65	ABS	
Z-105F	Series B	18	90	65	ABS	Fi
Z-100	Series B	70	89	65	ABS V0	
Z-100F	Series B	70	89	65	ABS V0	Fi
Z-101	Series B	107	89	66	ABS V0	
Z-101F	Series B	107	89	66	ABS V0	Fi
KM-71	Series C	105	91	60	ABS	
KM-73	Series C	53	91	60	ABS	

Bj - baterie joints
Bs - baskets for batteries
Bt - buttons

Cs - cord sleeve
F - fibers
Ff - front foil

Fl - filters
Fo - foot for enclosure
G - gaskets

Gr - with grounding
I - insert
Mk - membrane keyboard

P - plug for screws
Pi - pins for transformers
S - screws

So - socket without grounding
SoGr - socket with grounding
Sp - plastic screws