



US-324

USB 1 Port RS422/485 1MBaud

“SERIAL CARDS ENGINEERED TO EXCEED EXPECTATIONS”

Features

- 1 x RS422/485
- USB 2.0
- 128 Byte TX and 256 Byte RX FIFOs
- Up to 921,600 Baud
- DB9 Connector - 9 Pin Male
- Includes 0.25mm USB Extender cable
- Drivers for all popular operating systems
- Sample Programs, Test & Terminal software
- Lifetime Support
- Lifetime Warranty (registration required)

Product



US-324:
USB 1 Port
RS422/485
1MBaud



Description

USB to Serial adapter providing one RS422/485 serial port. Data transfer rates up to 921,600 baud rates and the 128 byte deep transmit and 256 byte receive FIFOs, coupled with 1Mbit line drivers deliver uncompromising performance on your laptop/PC. Drivers for Windows 32 bit and 64 bit Operating Systems including Windows XP, Server 2003, Vista, Server 2008, and Windows 7, 8, and 10, with additional drivers for Raspberry Pi, Mac OS X and Linux.

USB to serial is the quick low cost way to connect your computer to a serial comms enabled device. Boost software gives industry leading functionality and compatibility.

These products do away with traditional issues with USB technology so you can buy with confidence!

With Brainboxes industry renowned Lifetime Warranty and Lifetime Support!

Software

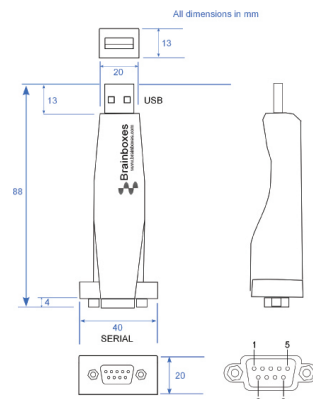
Microsoft signed drivers (easy installation & robust operation) for:

- Windows 10 32 bit & 64 bit Editions
- Windows 8 32 bit & 64 bit Editions
- Windows 7 32 bit & 64 bit Editions
- Windows Vista 32 bit & 64 bit Editions
- Windows XP 32 bit & 64 bit Editions

As well as: full product documentation, a thorough troubleshooting guide and terminal software. Detailed sample source code for many popular programming languages. Further OS support on next page.

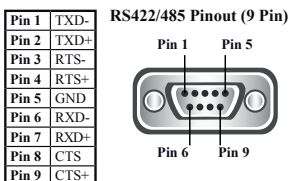
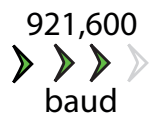



ORDER
Description
USB 1 Port RS422/485 1MBaud

Code
US-324



US-324- USB 1 Port RS422/485 1MBaud

US-324: Full Specification

Port 	Ports Connector FIFO Size Operating Distance Cable	1 x RS422/485 DB9 Connector - 9 Pin Male 256 Rx FIFO + 128 Tx FIFO RS422/485 Standard 4000 ft : 1200 metres USB extender cable 0.25 metre 1ft
Port Settings 	Baud Rate Data Bits Parity Stop Bits Flow Control Tx/Rx Modes	921,600 7 or 8 Odd, Even, None, Mark or Space 1 or 2 Full Duplex, Half Duplex Autogating
Interface 	OS Compatibility BUS	Microsoft Windows 10 32 bit & 64 bit Editions Microsoft Windows 8 32 bit & 64 bit Editions Microsoft Windows 7 32 bit & 64 bit Editions Windows Server 2008 32 bit & 64 bit Editions Windows Vista 32 bit & 64 bit Editions USB 2.0
Approvals 	Other Approvals Microsoft Approvals	AEO C-TPAT C-Tick Microsoft Certified Gold Partner WEEE RoHS METL UL Windows 7, 8, and 10 32 bit & 64 bit Editions Windows 7 32 bit & 64 bit Editions Windows Vista 32 bit & 64 bit Editions Windows XP 32 bit & 64 bit Editions
General 	PCB Layers Power Consumption Product Weight Product Size	4 80mA @ 5V 0.023 kg, 0.81 ounces 89x35x20 mm, 3.5x1.4x0.8 inches
Box Content	Packaging Device	Cable, Installation CD (inc manual, Microsoft signed drivers & Utilities) USB 1 Port RS422/485 1MBaud USB extender cable 0.25 metre 1ft
Product Support	Warranty Support	Lifetime (online registration required) Lifetime Web, Email & Phone Support from fully qualified, friendly staff who work in and alongside our Product Development Team
Additional	OEM Option Made In Customisable	Available for bulk buy OEM Manufactured in the UK by Brainboxes Winner 2005 European Electronics Industry Awards "Manufacturer of the Year" Brainboxes operate a "Perfect Fit Custom Design" policy for volume users. More info: sales@brainboxes.com