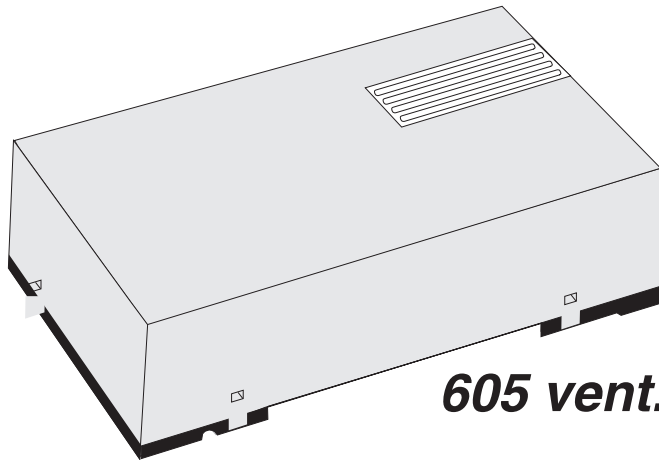


ENCLOSURE FOR WALL MOUNTING

SERIES
605

Counter sunk hole for self tapping screw



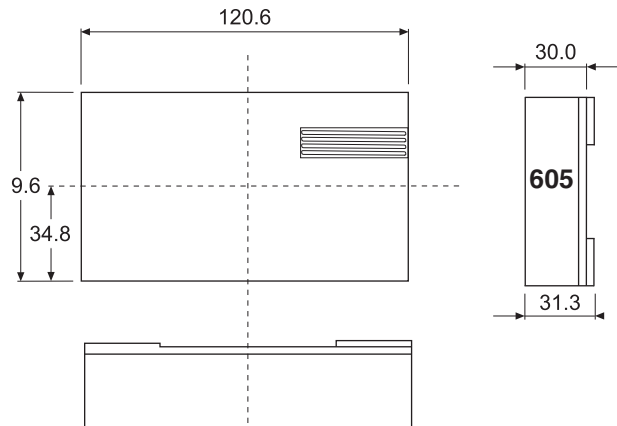
605 vent.

605 with ventilation in the front

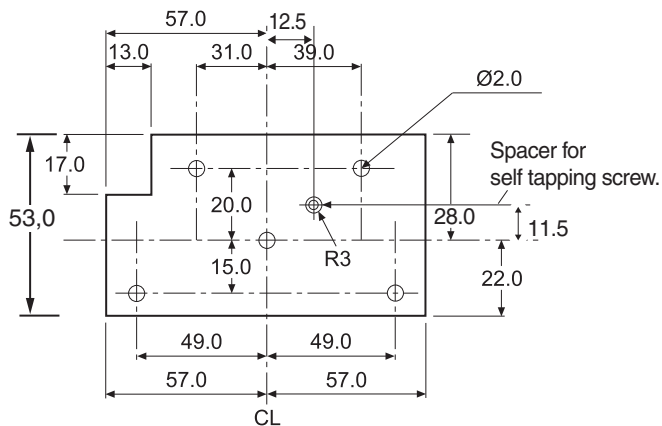
Enclosure for wall mounting. Closed version. Suitable for alarms etc. Possibility for 2 PCB's. PCB and packing are available. Standard colour is white/black but other colours can be supplied upon request. Label in polycarbonate available in customer specified colours. Base part available with cold press fixing taps or four self tapping screws to fix the PCB.

TECHNICAL DATA: 605

Top part: Cyclopol C 2800
Base part: Lexan 940
Colour: White/black (RAL9010/RAL9005)
Temperature range: -30 - +100°C
Self-extinguishing: Acc. to UL94-V0



605 - PCB DIMENSIONS:



TYPE 605	ORDER CODE:
Top part	p/n 0669000602
Base part w.cold press taps	p/n 0669000609
Base part f.self tapping screws	p/n 0699000610
Raw PCB	p/n 4999000600
Packing	p/n 2068601004
Light conductor	p/n 4972001258
Push button switch	p/n 4955127313