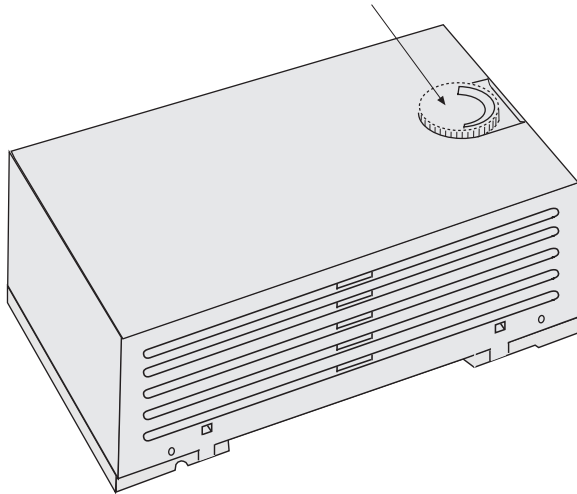


# ENCLOSURE WITH KNOB

**SERIES**  
**900**

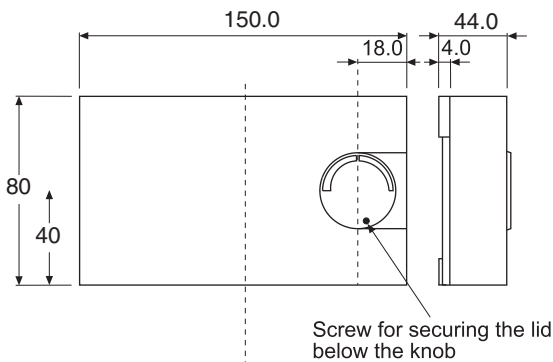
Can be limited to 180° mechanical travel



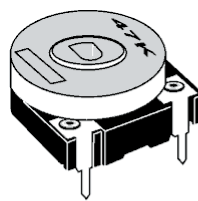
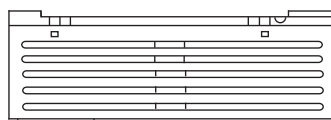
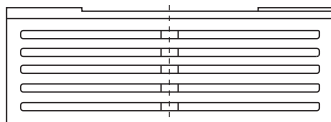
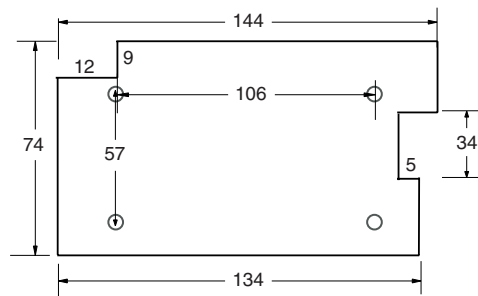
Enclosure with knob, for wall mounting, suitable for room thermostats etc. The knob fits among others trimmer P/N. PCH 215/30 from AB Elektronik GmbH. See [www.bernic.dk](http://www.bernic.dk) Standard colour is white/white but other colours can be supplied upon request. PCB and packing are available. Base part available with or without spacer and four self tapping screws to fix the PCB.

### TECHNICAL DATA:

Top part: ABS  
 Base part: ABS  
 Colour: White/white (RAL 9010)  
 Temperature range: -30 - + 75 °C  
 Self-extinguishing: Acc. to UL94-V0  
 Knob: Cycoloy C 2800



### 900 PCB DIMENSIONS:

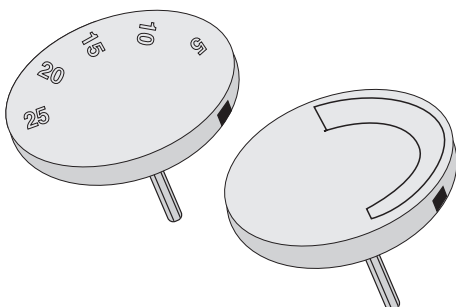


Trimmer  
 Series PCH 215/30  
 (see page 22)

TYPE 900	ORDER CODE:
Type 900 complete % spacer	p/n 0669000900
PCH 215/30 10 k trimmer	p/n 0207220103
Packing	p/n 2068900000
Knob without print	p/n 0669001603
Knob with grey print	p/n 0669080603
Knob with red print	p/n 0669020603
Knob with black dot	p/n 0669081603
Push button switch	p/n 4955127313
Rocker switch - 28V DC	p/n 1441210212

# KNOB WITH C° SCALE

FOR 300, 600 AND 900



Knob with C° scale	p/n 0669002603
--------------------	----------------

Optional knob with C° scale for 300, 600 and 900 to use for all our thermostat boxes

● All measurements are in mm