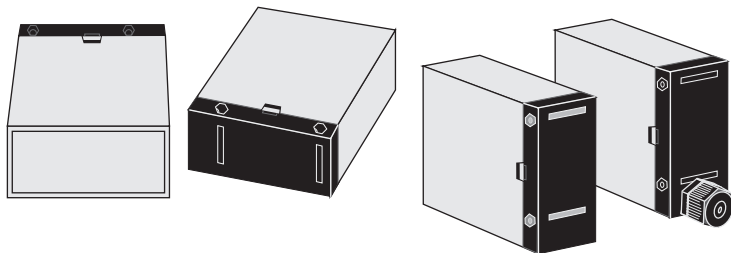


# SENSOR ENCLOSURE SPLASH PROOF

## SERIES 503



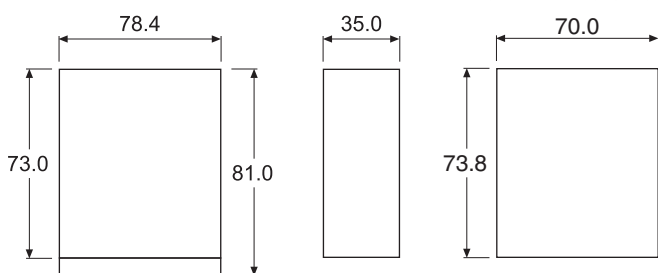
Enclosure for wall mounting to be used for thermostats, relay boxes, sensor enclosures etc.

PCB and packing are available.

### TECHNICAL DATA:

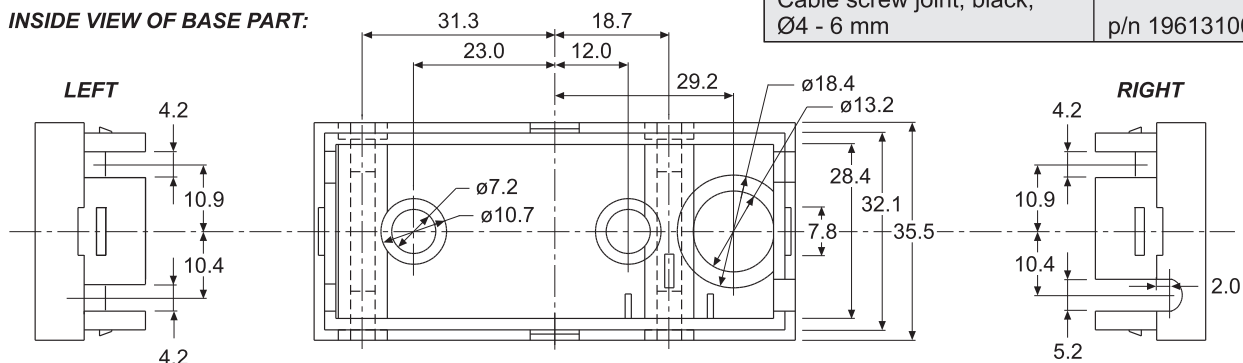
Material - top part: Lexan 940  
 - base part: Lexan 940  
 Temperature range: -30 - +100°C  
 Label dimension: 31.0 x 74.0  
 Self-extinguishing: Acc. to UL94-V0

### PCB DIMENSIONS:



TYPE 503:	ORDER CODE:
Base part, black, RAL 7021	p/n 2069000508
Base part, grey, RAL 7035	p/n 2069000510
Top part, grey, RAL 7035	p/n 2069020500
Top part, black, RAL 7021	p/n 2069040500
Top part, blue, RAL 5015	p/n 2069030500
Top part, green, Pantone 3275	p/n 2069050500
Packing	p/n 2068500001
Cable screw joint, black, Ø4 - 6 mm	p/n 1961310090

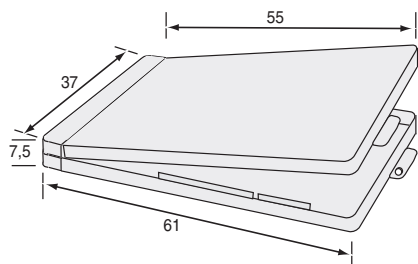
### INSIDE VIEW OF BASE PART:



## NEW PRODUCTS

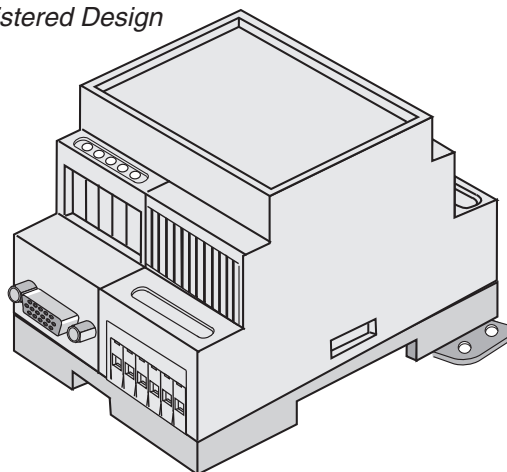
### PCB Cover

For memory modules, etc.  
p/n 1010101010



### New DIN-rail enclosures

Registered Design



Please see page 2, 3, 4, 5, 6 and 7