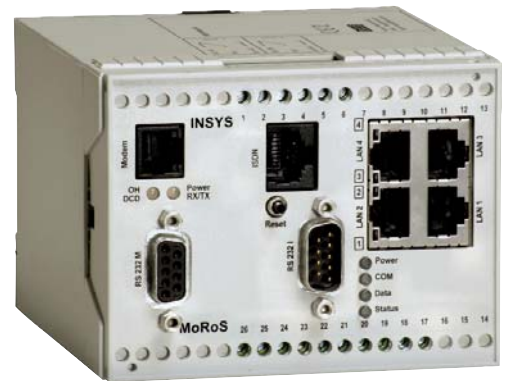


# DIN rail

## MoRoS MI

Shape	Transmission technology						
	3G/HSPA	GSM/GPRS/EDGE	xDSL	Ethernet	WLAN	Analogue	ISDN
DIN-rail serial	<input type="checkbox"/>	<input type="checkbox"/>	<input type="checkbox"/>	<input type="checkbox"/>	<input type="checkbox"/>	<input type="checkbox"/>	<input type="checkbox"/>
DIN-rail network	<input type="checkbox"/>	<input type="checkbox"/>	<input type="checkbox"/>	<input type="checkbox"/>	<input type="checkbox"/>	<input checked="" type="checkbox"/>	<input checked="" type="checkbox"/>
Desktop	<input type="checkbox"/>	<input type="checkbox"/>				<input type="checkbox"/>	<input type="checkbox"/>
19" rack						<input type="checkbox"/>	<input type="checkbox"/>
Embedded module	<input type="checkbox"/>	<input type="checkbox"/>	<input type="checkbox"/>	<input type="checkbox"/>	<input type="checkbox"/>	<input type="checkbox"/>	<input type="checkbox"/>



### Remote access to Ethernet equipment with redundant telecontrol

MoRoS MI combines modem, ISDN-TA, a router and a 4 port switch. It is able to create a connection both via the analogue and the digital telephone network, thanks to two integrated modems (analogue modem and ISDN-TA). The dial-in and dial-out functionality enables the telemaintenance and telecontrol of equipment which is located within an Ethernet network.

The integrated 4 port switch allows a direct connection of up to four network users. Via a web interface MoRoS MI can be configured in a simple and quick manner. It is able to create a connection to the control station both directly and via the internet.

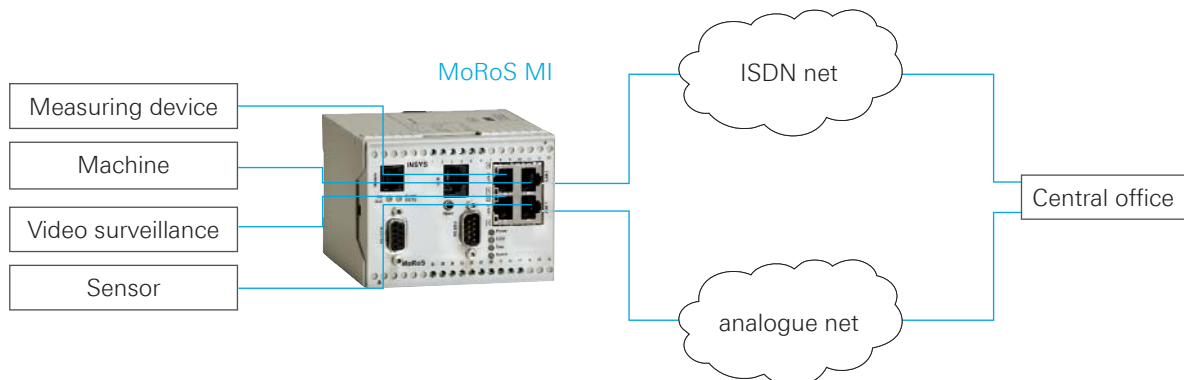
The redundant telecontrol guarantees a secure access: if the preferred communication channel fails, the substitute channel is automatically activated. This also gives the fitter more flexibility as he merely needs one device for all analogue and digital telephone connections.

### Features

- Dial-in and dial-out router
- Redundancy: integrated communication modules (analogue modem + ISDN-TA)
- 4 port switch with 10/100 MBit/s
- Firewall
- Full NAT

### Applications

- Remote maintenance
- Machine and system initialisation
- Service tasks



## Technical data

### MoRoS MI

<b>Data transmission</b>	
Analogue modem	switched line up to 56 kBits/s (PSTN), international applicable
ISDN	Euro-ISDN up to 64 kBits/s
Redundancy	Priorisation analogue modem or ISDN-TA for dial-out
<b>Router</b>	
Function	Dial-in, dial-out, callback; DHCP server and client, full NAT (port forwarding), DNS Relay, dynDNS-Support
Authentication	10 users for dial-in, authentication via PAP, CHAP, MS-CHAP, MS-CHAP 2
Dialing filter (Dail-Out)	On the basis of IP addresses and ports
<b>Switch</b>	
Ports	4 x RJ45
Operation mode	10 / 100 MBit/s for full and half duplex operation
Function	Automatically recognizes patch/crossover cables; automatic speed adjustment; MDI/MDI-X, port mirroring
<b>Configuration</b>	Web interface local and remote
<b>I/Os</b>	2 inputs to send e-mail or SNMP traps and to establish dial-out connection, VPN tunnels 2 isolated outputs switchable with the configuration surface, dial-out or VPN status display
<b>Additional features</b>	digital inputs and outputs, firmware update local/remote, SMS messaging hardware watchdog, firewall
<b>Electrical features</b>	
Power supply	10...32 V DC
Power consumption	approx. 5 W (during connection)
<b>Physical features</b>	
Size in mm	110 l x 100 w x 75 h
Temperature range	0 ...+55°C
Humidity	0...95% (non condensing)
Weight	400 g

Product description	Features	Order number
MoRoS MI	analogue modem + ISDN-TA	11-02-06-05.
further device variants with integrated modem, ISDN-TA or mobile radio adapter available		

© INSYS 110721 - Subject to change without notice. Errors and omissions excepted.